

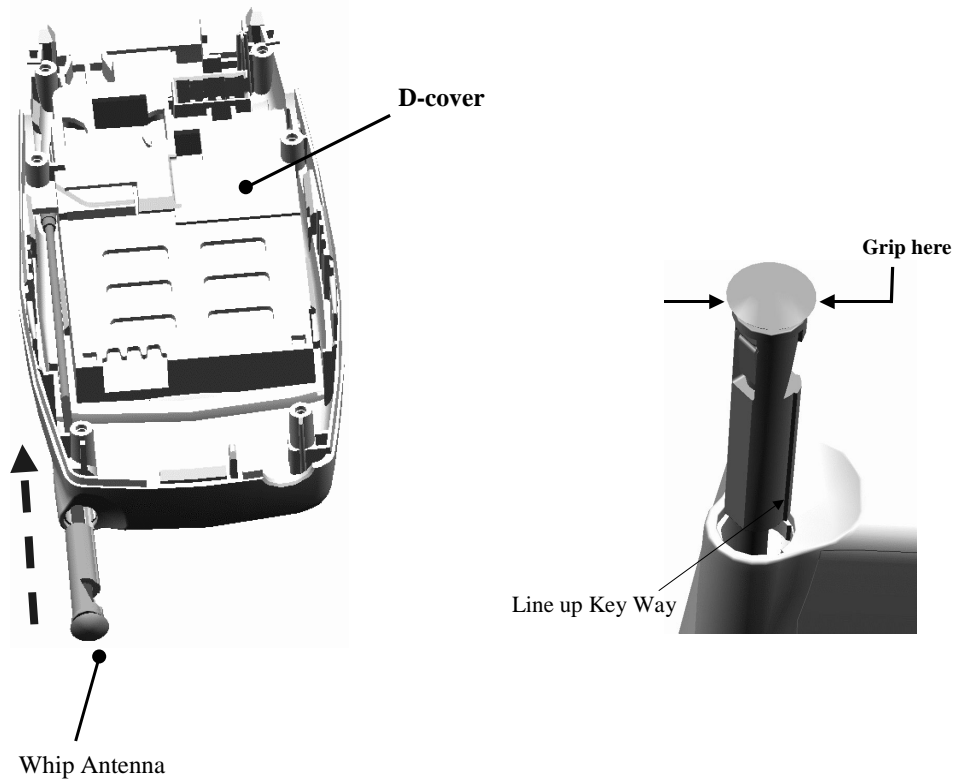
CCS Technical Documentation

RH-17 Series Transceivers

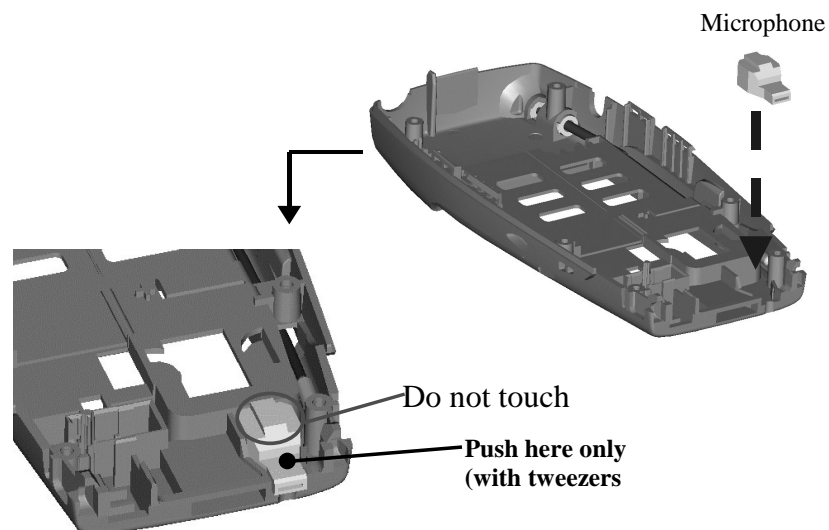
Assembly

Assembly Instructions

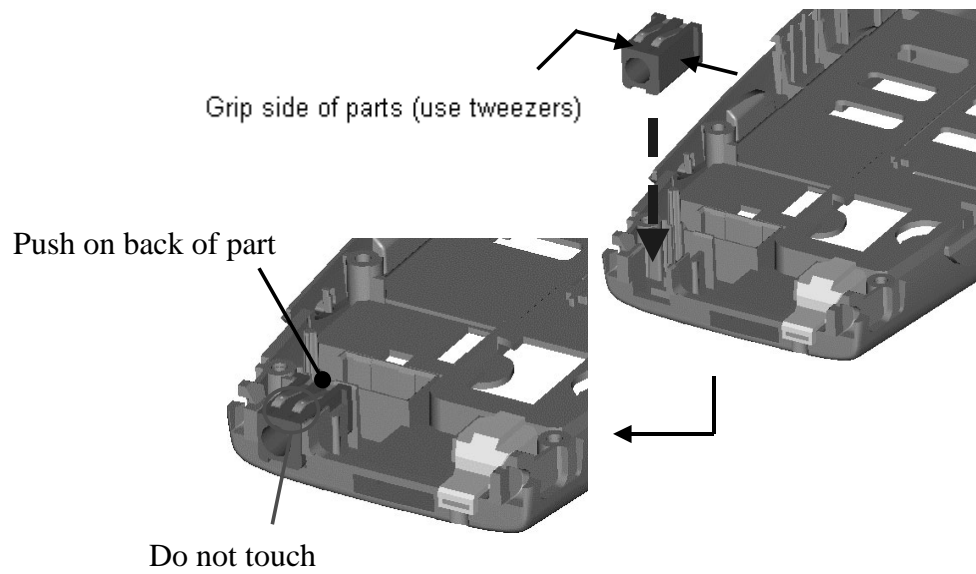
1. D-cover Subassembly.



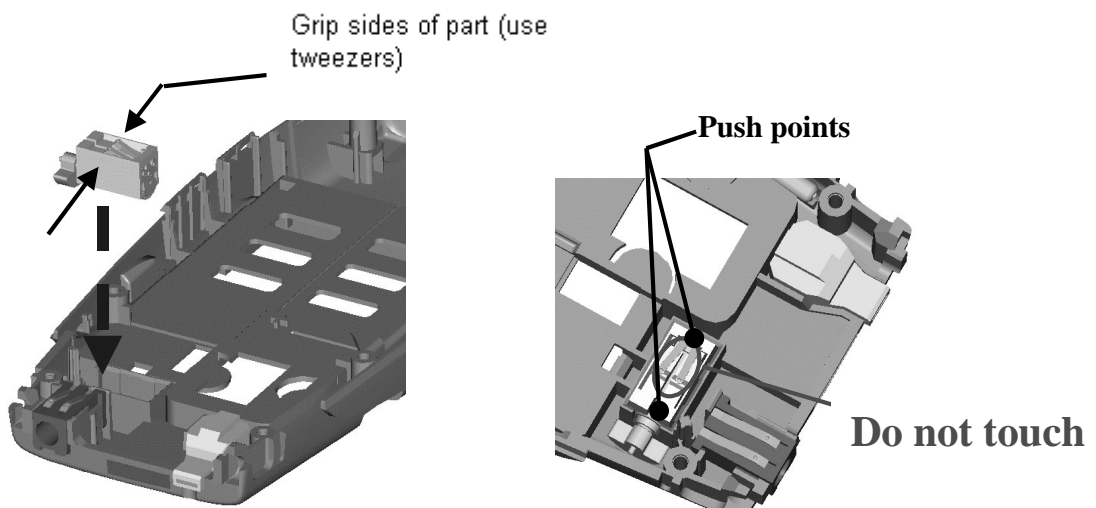
a.) Microphone Assembly



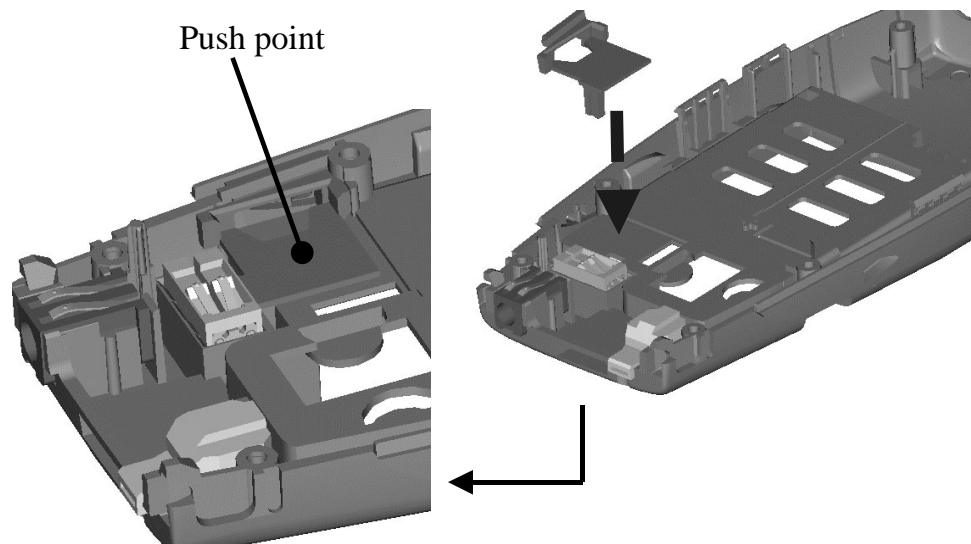
b.) DC Jack



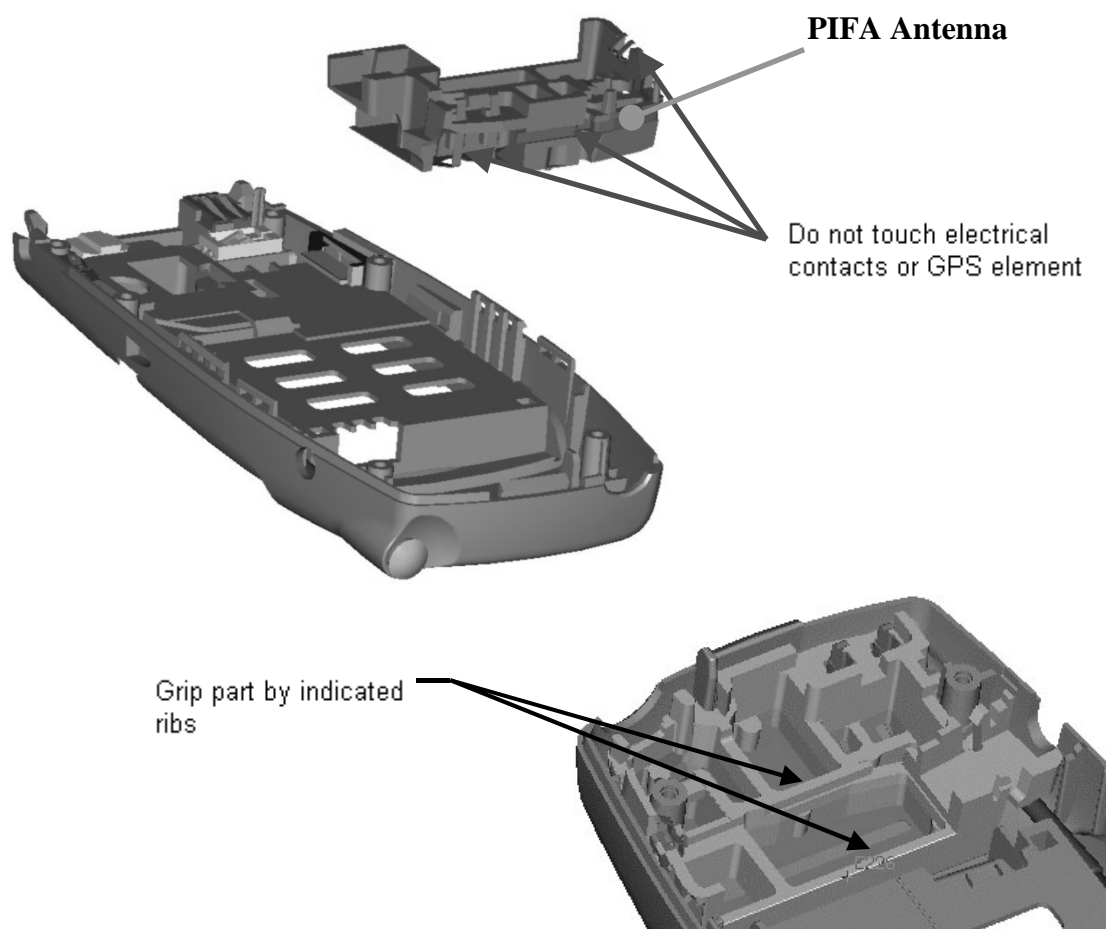
c.) Vibra Motor



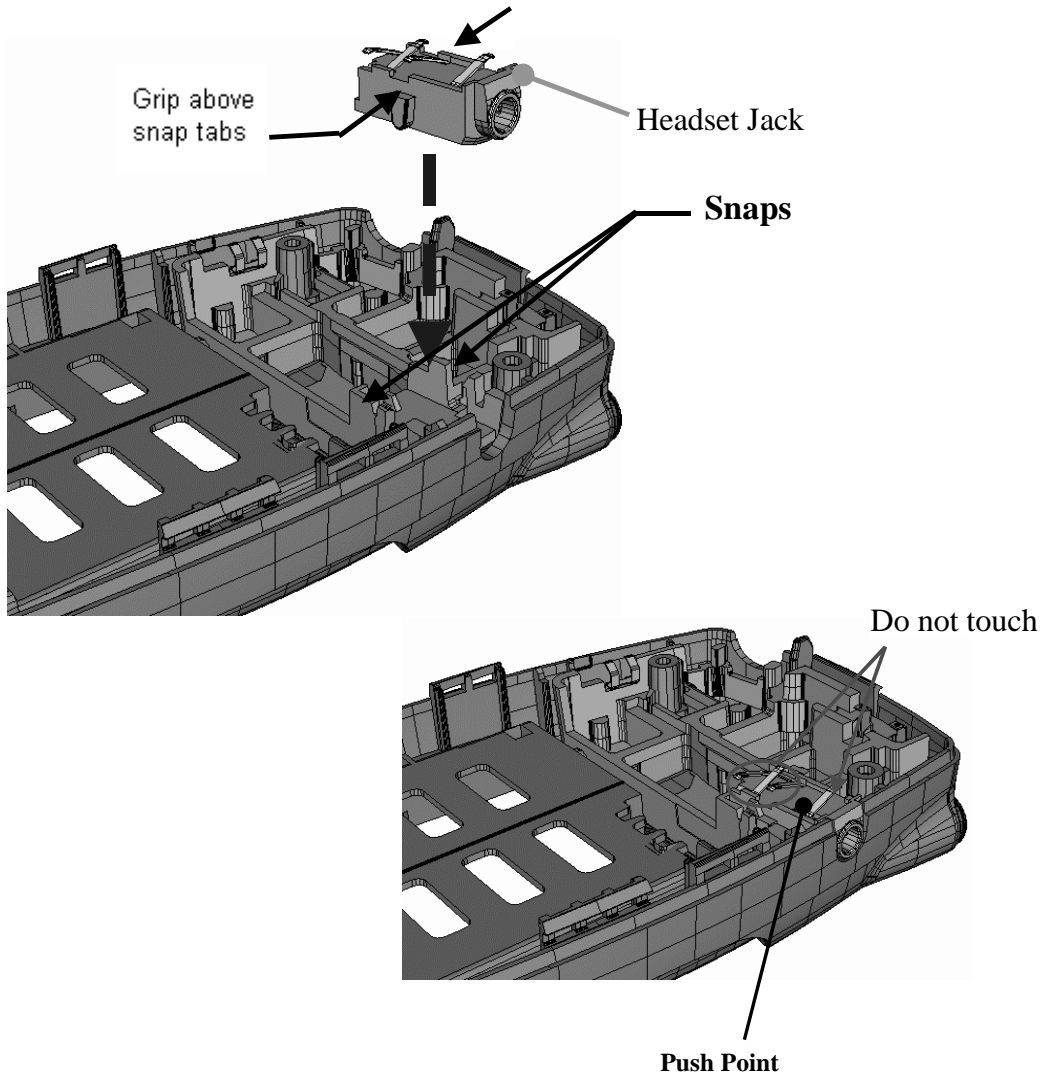
d.) Buzzer Gasket



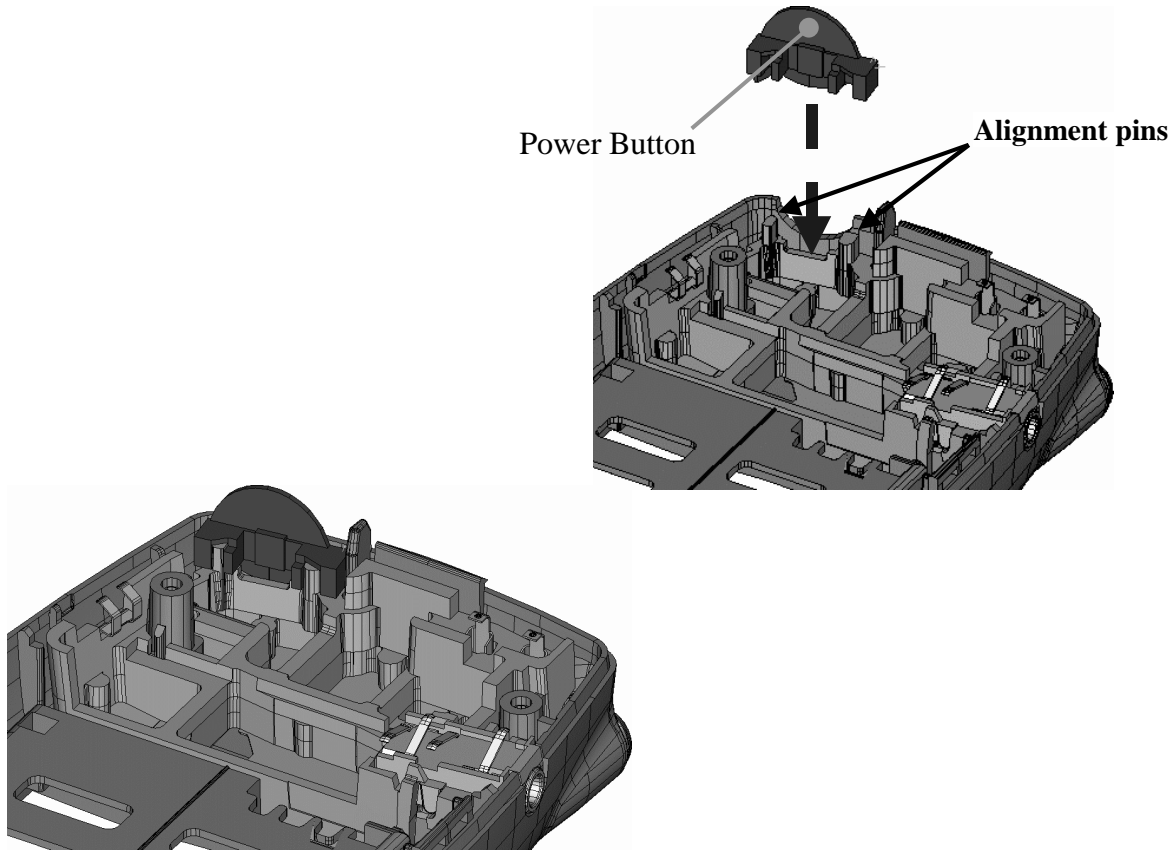
2. Antenna Assembly



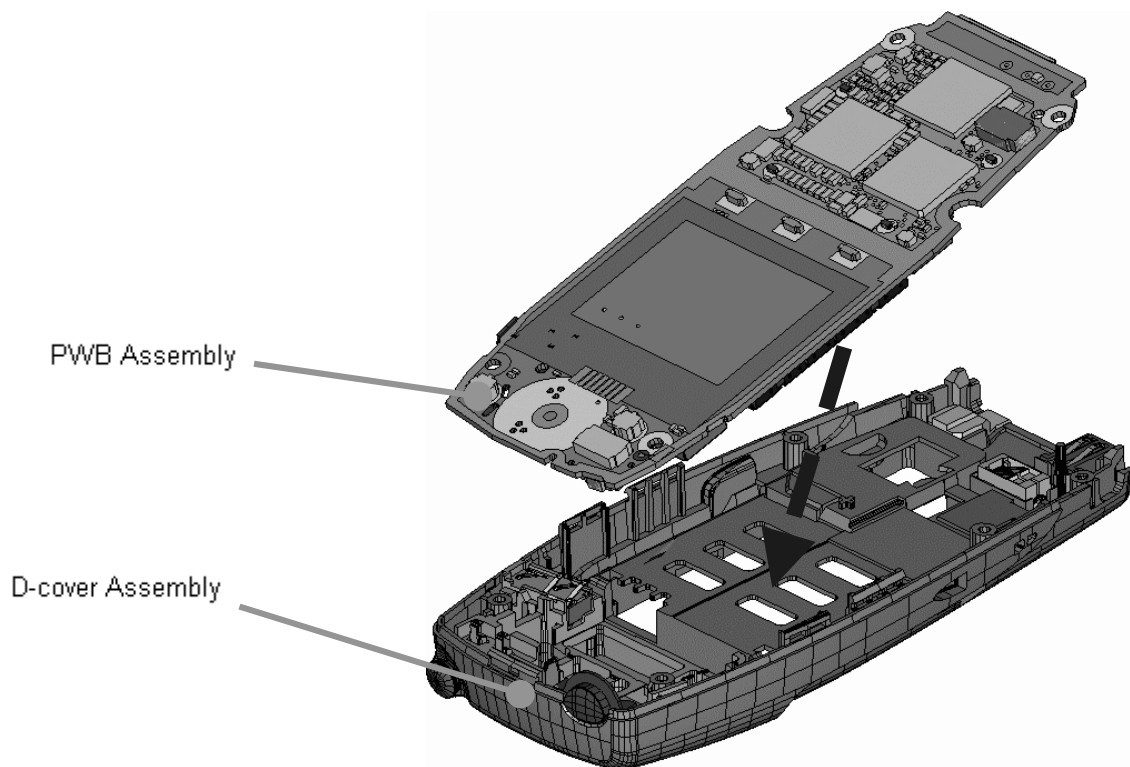
3. Headset Jack

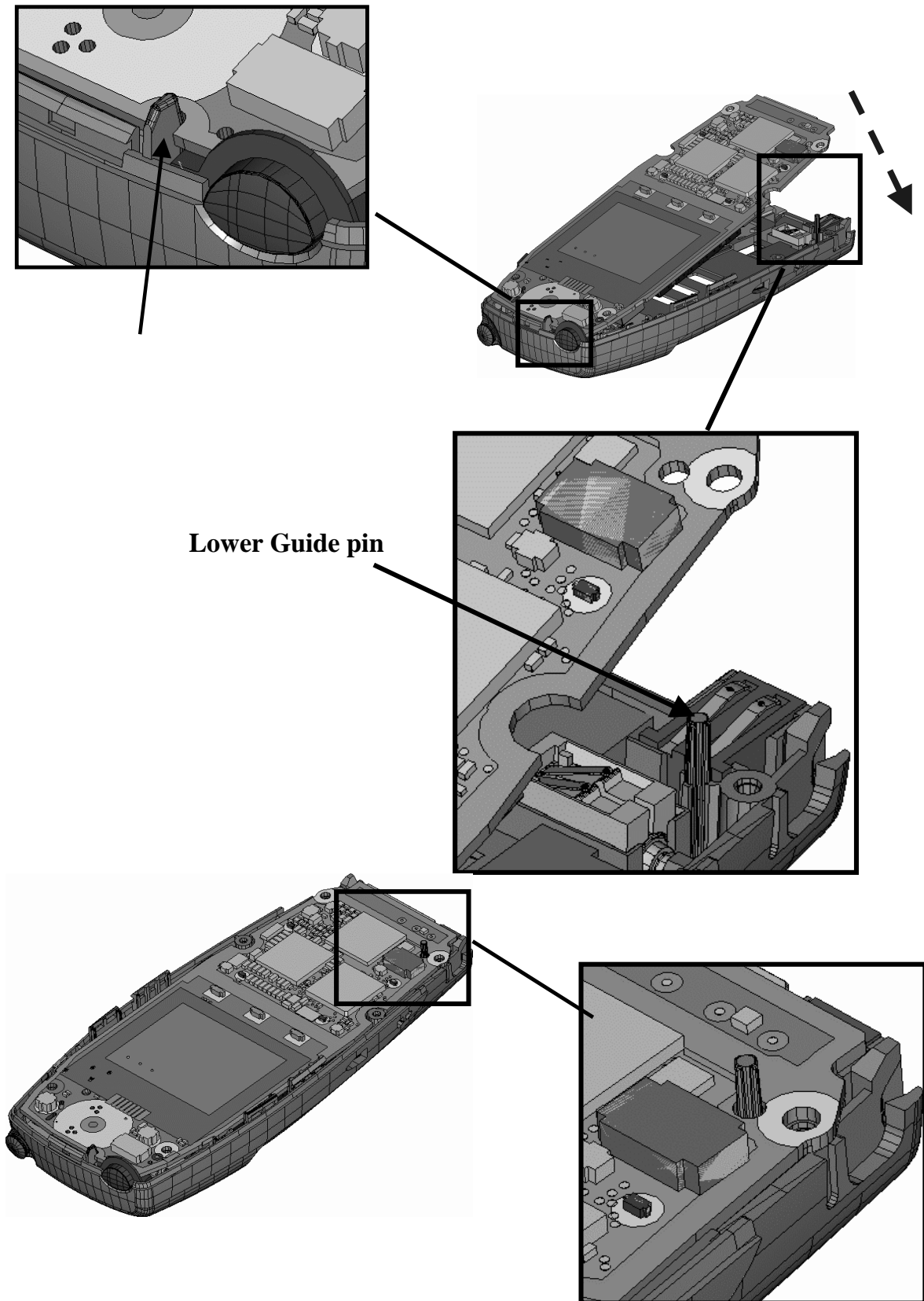


4. Power Button

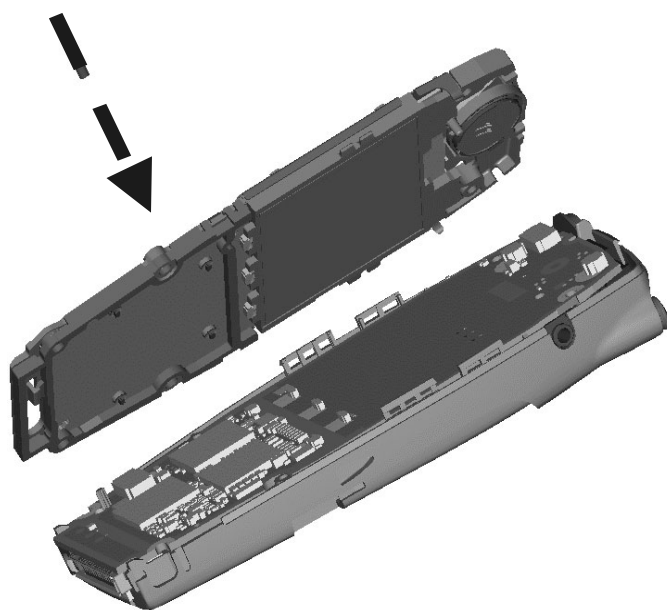


5. PWB Assembly

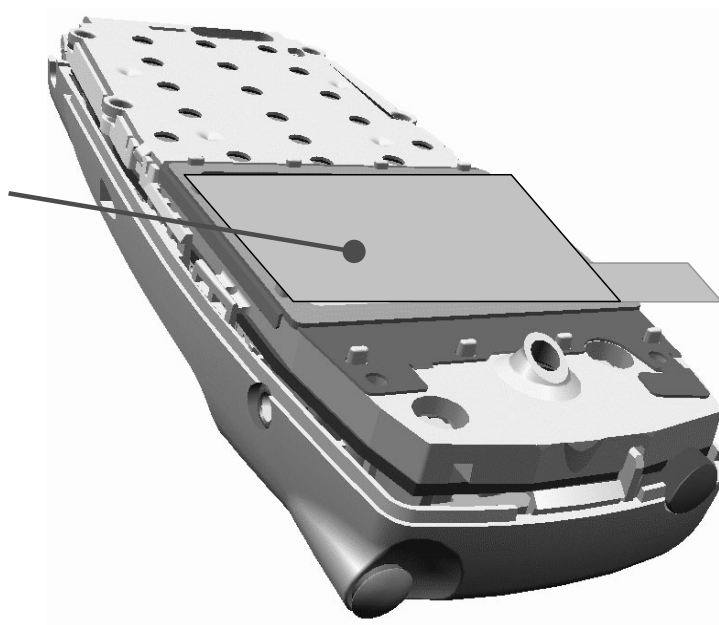




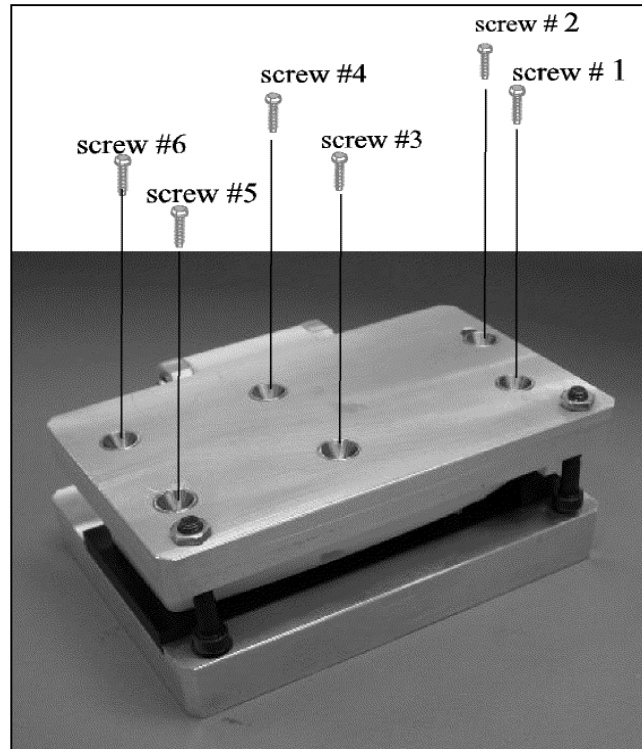
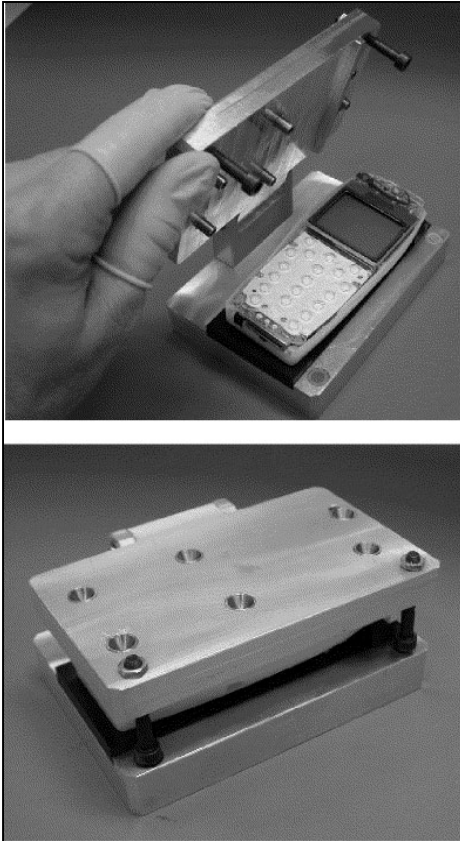
6. Display Assembly



No pressing on LCD display glass

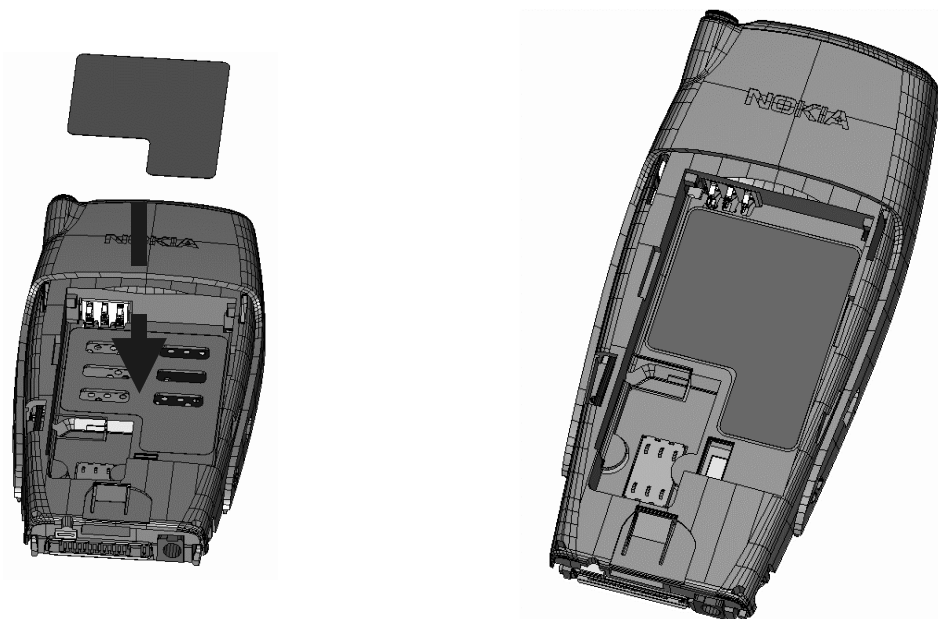


7. Screw Assembly

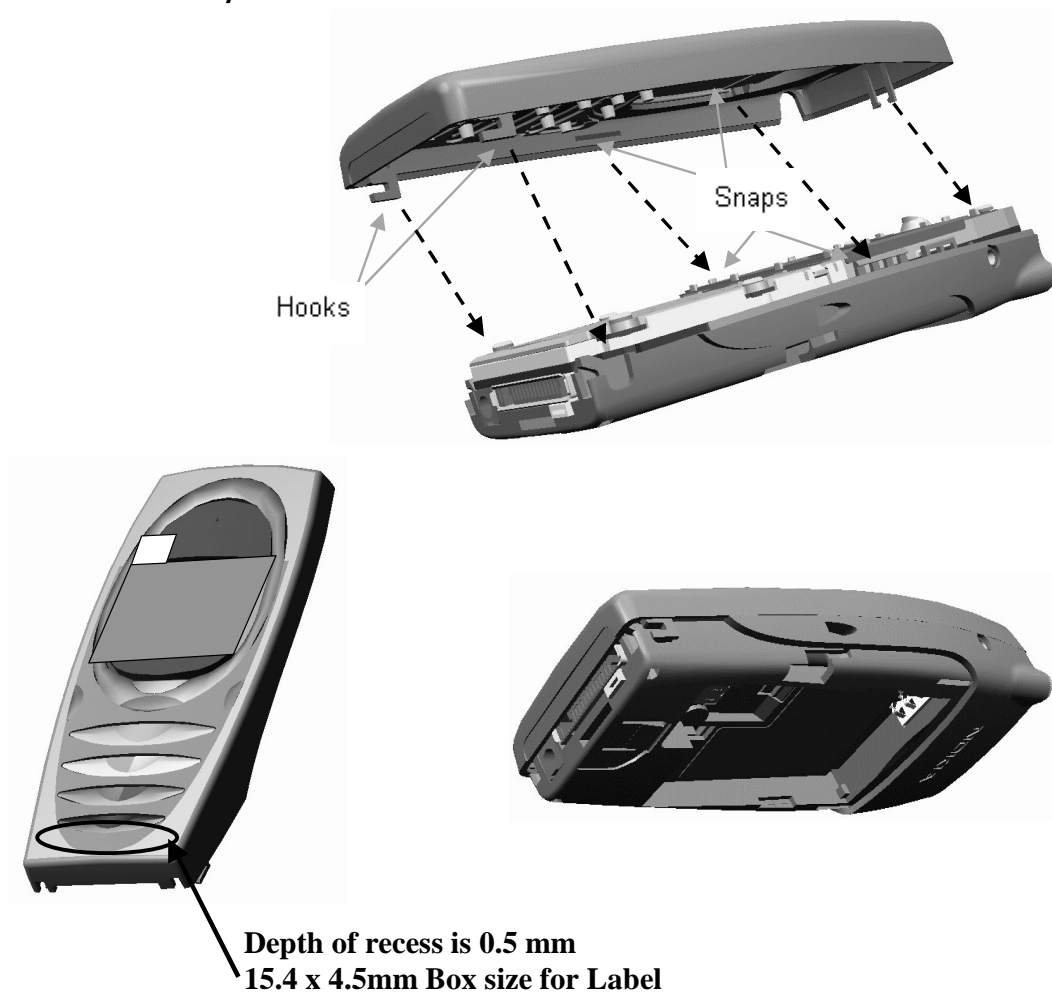


- Mount screws in order indicated above.
- Note: Use 21+/-1 Ncm (350 RPM max).
- Ensure that the Display Assembly (Step 6) has been properly mounted prior to mounting the screws.

8. Type Label



9. A-Cover Assembly



10. B-Cover Assembly

